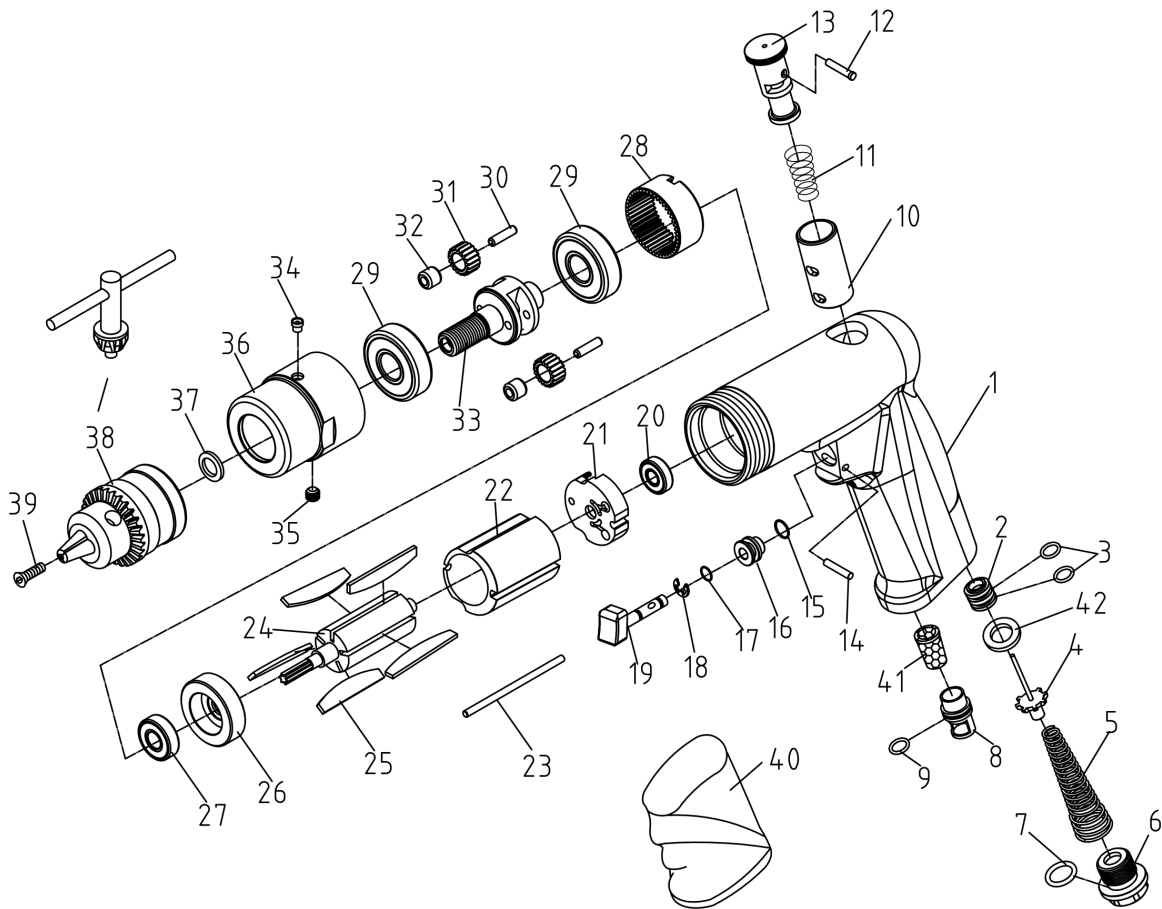


# 714P-2100R 1/4" REVERSIBLE PISTOL AIR DRILL

## EXPLODED VIEW



## PARTS LIST — FOR REFERENCE ONLY

Index Number	Part Number	Description	Qty.	Index Number	Part Number	Description	Qty.	Index Number	Part Number	Description	Qty.
1	RL41701P	Housing	1	16	RL41716	Valve Bushing	1	30	RL41730	Planet Pin	2
2	RL41702	Bushing	1	17	RL41717	O-Ring	1	31	RL41731	Planet Gear	2
3	RL401321	O-Ring	2	18	RL41718	Retaining Ring	1	32	RL41732	Needle Bearing	2
4	RL41704	Throttle Valve	1	19	RL41719	Trigger Button	1	33	RL41733	Planet Gear Carrier	1
5	RL41705	Spring	1	20	982-033-0	Ball Bearing (696ZZ)	1	34	RL41734	Grease Fitting	1
6	RL41706	Air Inlet	1	21	RL41721	Rear End Plate	1	35	RL41735	Hex. Screw	1
7	RL40125	O-Ring	1	22	RL41722	Cylinder	1	36	RL41736	Nose Housing	1
8	RL41708	Muffler	1	23	RL41723	Pin	1	37	RL70132	Phenolic Washer	1
9	RL41709	O-Ring	1	24	RL41724	Rotor	1	38	1B	Jacobs 1/4" Drill Chuck w/Key	1
10	RL41710	Reverse Valve Bushing	1	25	RL41725	Rotor Blade	5	39	RL41739	Screw	1
11	RL41711	Spring	1	26	RL41726	Front End Plate	1	40	RL41741C	Comfort Grip	1
12	RL41712	Pin	1	27	982-401-0	Ball Bearing (R4)	1	41	RL41742	Silencer	1
13	RL41713	Reverse Valve	1	28	RL41728	Internal Gear	1	42	RL12127	Throttle Seat	1
14	RL41714	Pin	1	29	RL41729	Ball Bearing					
15	RL41715	O-Ring	1			27 mm x 10 mm x 8 mm	2				

## FOOTNOTES

**EAGLE GROUP**  
A Division of AIMCO

10000 SE PINE  
PORTLAND, OR 97216  
503-254-6600  
FAX 503-255-2615

When ordering spare parts, please specify tool type, part number, and description